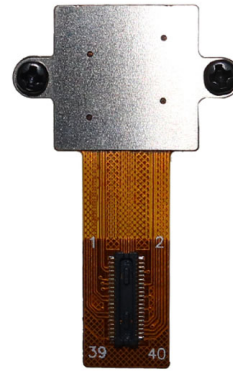


YDS-E1K-OV5640-1B V1.0

**5MP OmniVision OV5640-1B MIPI- und DVP-Parallelschnittstelle
M12-Kameramodul mit Festfokus**



Vorderansicht



Rückansicht

Spezifikationen

| | |
|---------------------------------|-------------------------------|
| Kameramodul Nr. | YDS-E1K-OV5640-1B V1.0 |
| Auflösung | 5MP |
| Bildsensor | OV5640-1B |
| Sensorart | 1/4" |
| Pixel Größe | 1.4 um x 1.4 um |
| EFL | 2.10 mm |
| F.NO | 2.20 |
| Pixel | 2592 x 1944 |
| Betrachtungswinkel | 95.0°(DFOV) 83.0°(HFOV) |
| Linsenabmessungen | 13.10 x 13.10 x 15.06 mm |
| Modulgröße | 35.00 x 22.00 mm |
| Modultyp | Fester Fokus |
| Schnittstelle | MIPI und DVP-Parallel |
| Autofokus-VCM-Treiber-IC | Eingebettet |
| Objektivtyp | 650 nm IR-Schnitt |
| Betriebstemperatur | -30°C to +70°C |
| Gegenstecker | DF30FC-40DS-0.4V |

YDS-E1K-OV5640-1B V1.0

5MP OmniVision OV5640-1B MIPI- und DVP-Parallelschnittstelle
M12-Kameramodul mit Festfokus



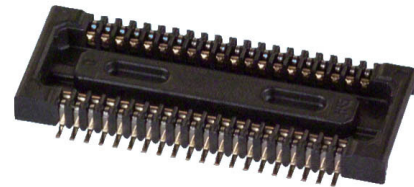
Ansicht von oben



Seitenansicht



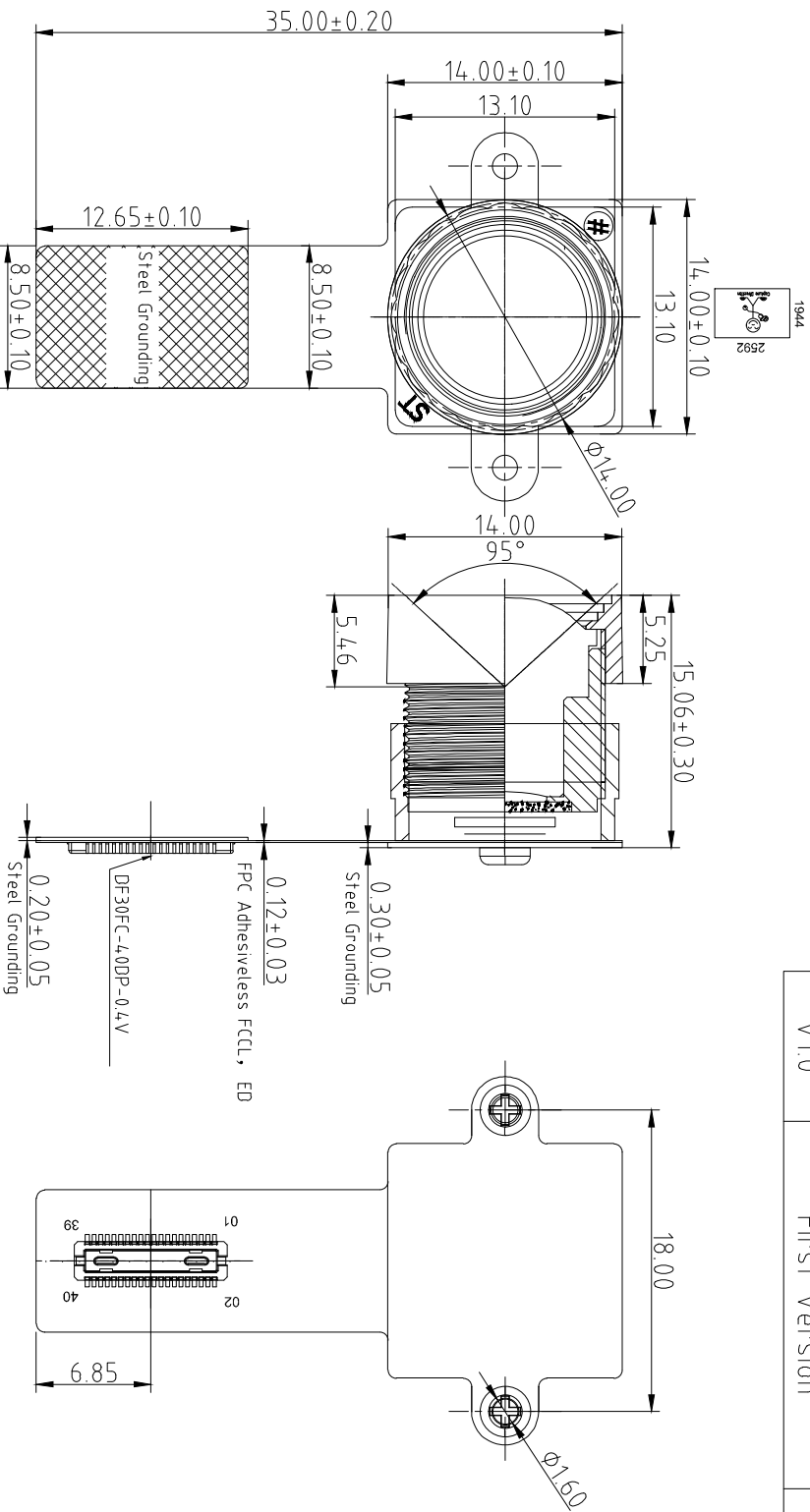
Untersicht



Gegenstecker

ROHS

| PIN | SIGNAL |
|-----|-----------|
| 1 | AGND |
| 2 | NC |
| 3 | STROBE |
| 4 | NC |
| 5 | SIOD |
| 6 | NC |
| 7 | SIOC |
| 8 | AVDD2.8V |
| 9 | RESET |
| 10 | NC |
| 11 | PCLK |
| 12 | NC |
| 13 | VSYNC |
| 14 | FREX |
| 15 | HREF |
| 16 | NC |
| 17 | PWDN |
| 18 | NC |
| 19 | D8MDP1 |
| 20 | DGND |
| 21 | D8MDN1 |
| 22 | NC |
| 23 | D7/MCP |
| 24 | NC |
| 25 | D6/MCN |
| 26 | DGND |
| 27 | D5/MDP0 |
| 28 | NC |
| 29 | D4/MDN0 |
| 30 | NC |
| 31 | D3 |
| 32 | DGND |
| 33 | D2 |
| 34 | XCLK |
| 35 | NC |
| 36 | DVDD1.5V |
| 37 | NC |
| 38 | DOVDD1.8V |
| 39 | DGND |
| 40 | DGND |



| Version | Information | Date |
|---------|---------------|-----------|
| V1.0 | First Version | 12-3-2021 |

Parameters:

1、Sensor specification:

Image Sensor: OV5640-1B
Pixel: 1.4umx1.4um
Lens Type: 1/4
Important Voltage Description: DVDD1.5V (external power supply);

2、Lens specification:

FOV: 95°
F/NO.: 2.2
TV distortion: <-4.0%
Focal length: 2.1mm
Composition: 4E+IR FILTER
IR Cut Coating: 650nm±10nm@50%

3

| | | | | | |
|-------------|-----------|------------------|--------------------|-----------|--------|
| Designed By | Kevin | Model Name: | E1K-OV5640-1B V1.0 | | |
| Checked By | Aouly Yan | Projection Type: | Unit: | Material: | |
| | | Third Angle | mm | ----- | |
| | | Scale: | 1:1 | Sheet: | 1 of 1 |
| | | | | Version: | 1/0 |

3



OV5640 5-megapixel product brief



1/4-inch, 5-Megapixel SOC Image Sensor Optimized for High-Volume Mobile Markets



available in
a lead-free
package

The OV5640 delivers a complete 5-megapixel camera solution on a single chip, aimed at offering cost efficiencies that serve the high-volume autofocus (AF) camera phone market. The system-on-a-chip (SOC) sensor features OmniVision's 1.4 micron OmniBSI™ backside illumination architecture to deliver excellent pixel performance and best-in-class low-light sensitivity, while enabling ultra compact camera module designs of 8.5 mm x 8.5 mm with <6 mm z-height. The OV5640 provides the full functionality of a complete camera, including anti-shake technology, AF control, and MIPI while being easier to tune than two-chip solutions, making it an ideal choice in terms of cost, time-to-market and ease of platform integration.

The OV5640 enables 720p HD video at 60 frames per second (fps) and 1080p HD video at 30 fps with complete user control over formatting and output data transfer. The 720p/60 HD video is captured in full field of view (FOV) with 2 x 2 binning, which doubles the sensitivity and improves the signal-to-noise ratio (SNR). Additionally, a unique post-binning re-sampling filter function removes zigzag artifacts around slant edges and minimizes spatial artifacts to deliver even sharper, crisper

color images. To further improve camera performance and user experience, the OV5640 features an internal anti-shake engine for image stabilization, and it supports Scalado™ tagging for faster image preview and zoom.

The OV5640 offers a digital video port (DVP) parallel interface and a high-speed dual lane MIPI interface, supporting multiple output formats. An integrated JPEG compression engine simplifies data transfer for bandwidth-limited interfaces. The sensor's automatic image control functions include automatic exposure control (AEC), automatic white balance (AWB), automatic band filter (ABF), 50/60 Hz automatic luminance detection, and automatic black level calibration (ABLC). The OV5640 delivers programmable controls for frame rate, AEC/AGC 16-zone size/position/weight control, mirror and flip, cropping, windowing, and panning. It also offers color saturation, hue, gamma, sharpness (edge enhancement), lens correction, defective pixel canceling, and noise canceling to improve image quality.

Find out more at www.ovt.com.

applications

- cellular phones
- toys
- PC multimedia
- digital still cameras

ordering information

- OV05640-A71A-1B** (color, lead-free)
71-pin CSP

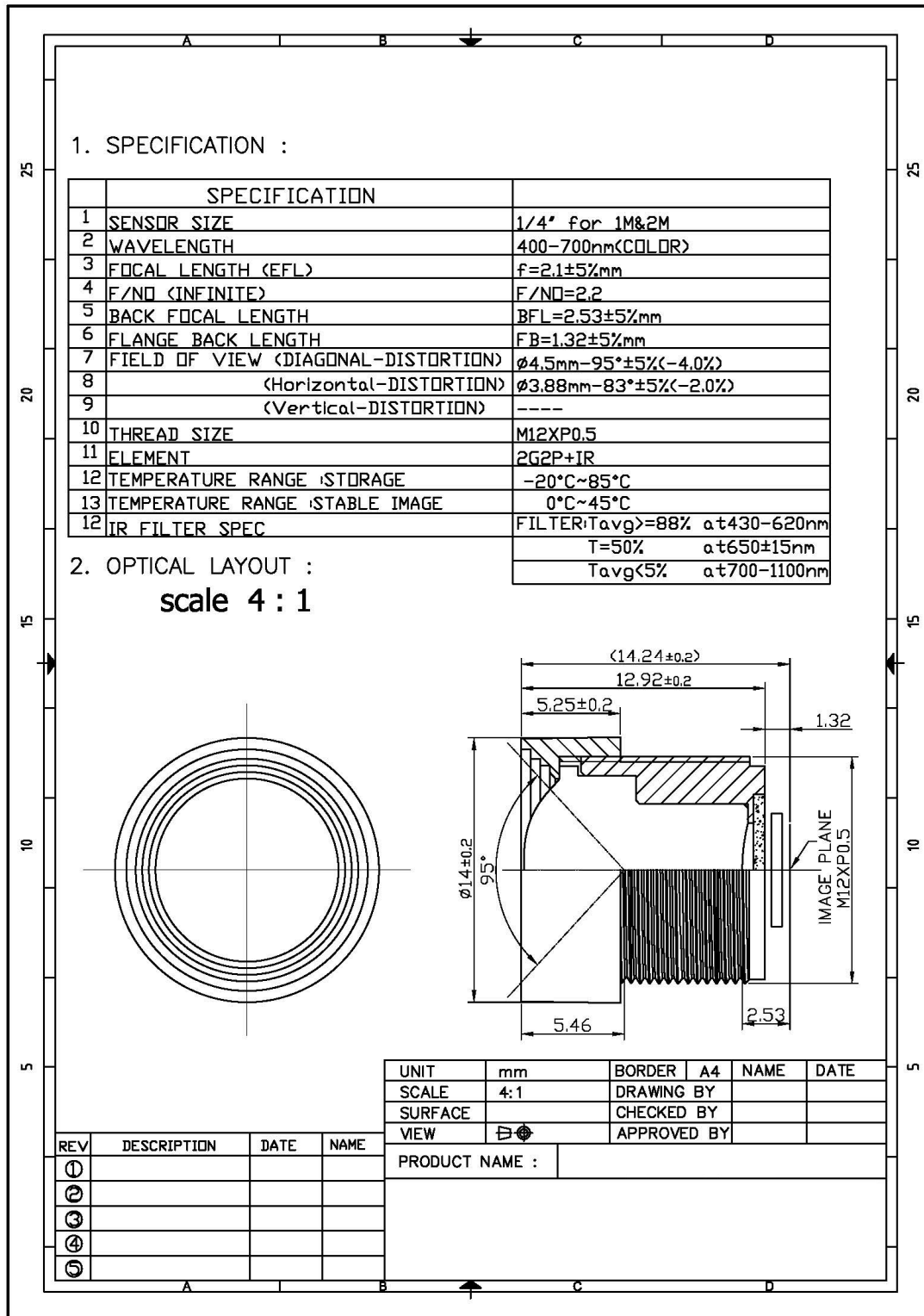
features

- 1.4 μm x 1.4 μm pixel with OmniBSI technology for high performance (high sensitivity, low crosstalk, low noise, improved quantum efficiency)
- optical size of 1/4"
- automatic image control functions: automatic exposure control (AEC), automatic white balance (AWB), automatic band filter (ABF), automatic 50/60 Hz luminance detection, and automatic black level calibration (ABLC)
- programmable controls for frame rate, AEC/AGC 16-zone size/position/weight control, mirror and flip, cropping, windowing, and panning
- image quality controls: color saturation, hue, gamma, sharpness (edge enhancement), lens correction, defective pixel canceling, and noise canceling
- support for output formats: RAW RGB, RGB565/555/444, CCIR656, YUV422/420, YCbCr422, and compression
- support for video or snapshot operations
- support for internal and external frame synchronization for frame exposure mode
- support for LED and flash strobe mode
- support for horizontal and vertical sub-sampling, binning
- support for minimizing artifacts on binned image
- support for data compression output
- support for anti-shake
- standard serial SCCB interface
- digital video port (DVP) parallel output interface and dual lane MIPI output interface
- embedded 1.5V regulator for core power
- programmable I/O drive capability, I/O tri-state configurability
- support for black sun cancellation
- support for images sizes: 5 megapixel, and any arbitrary size scaling down from 5 megapixel
- support for auto focus control (AFC) with embedded AF VCM driver
- embedded microcontroller
- suitable for module size of 8.5 x 8.5 x <6mm with both CSP and RW packaging

key specifications (typical)

- active array size:** 2592 x 1944
- power supply:**
 - core: 1.425 ~ 1.675V (with embedded 1.5V regulator)
 - analog: 2.6 ~ 3.0V (2.8V typical)
 - I/O: 1.8V / 2.8V
- power requirements:**
 - active: 140 mA
 - standby: 20 μA
- temperature range:**
 - operating: -30°C to 70°C junction temperature (see [table 8-2](#))
 - stable image: 0°C to 50°C junction temperature (see [table 8-2](#))
- output formats:** 8-/10-bit RGB RAW output
- lens size:** 1/4"
- lens chief ray angle:** 24° (see [figure 10-2](#))
- input clock frequency:** 6~27 MHz
- max S/N ratio:** 36 dB
- dynamic range:** 68 dB @ 8x gain
- maximum image transfer rate:**
 - QSXGA (2592x1944): 15 fps
 - 1080p: 30 fps
 - 1280x960: 45 fps
 - 720p: 60 fps
 - VGA (640x480): 90 fps
- sensitivity:** 600 mV/Lux-sec
- shutter:** rolling shutter / frame exposure
- maximum exposure interval:** 1964 x t_{ROW}
- pixel size:** 1.4 μm x 1.4 μm
- dark current:** 8 mV/s @ 60°C junction temperature
- image area:** 3673.6 μm x 2738.4 μm
- package dimensions:** 5985 μm x 5835 μm

YDS-LENS-ST_6108_A6



0.4 mm Pitch, 0.9 mm Height, Board-to-Board / Board-to-FPC Connectors

DF30 Series



Extremely small size



40 positions shown

Overview

Continuous miniaturization and increased component density on PCB created demand for extremely low profile connectors. This series is addition of a new extremely low profile connectors to Hirose's wide range of high reliability board-to-board/board-to-FPC connection solutions.

Features

1. Contact reliability

Concentration of the contact's normal forces at the single point assures good contact wipe and electrical reliability, while confirming the fully mated condition with a definite tactile click.

2. Self alignment

Recognizing the difficulties of mating extremely small connectors in limited spaces the connectors will self align in horizontal axis within 0.3 mm.

3. Automatic board placement

Packaged on tape-and-reel the plug and headers have sufficiently large flat areas to allow pick-up with vacuum nozzles of automatic placement equipment.

4. Variety of contact positions and styles

Available in standard contact positions of: 20, 22, 24, 30, 34, 40, 50, 60, 70 and 80 with and without metal fittings. Addition of metal fittings does not affect external dimensions of the connectors.

Smaller contact positions are also available.

5. Support for continuity test connector

Connectors which have increased insertion and removal durability are available for continuity tests. Contact your Hirose sales representative for details.

Applications

Cellular phones, PDA's, mobile computers, digital cameras, digital video cameras, and other devices demanding high reliability connections in extremely limited spaces.

Low profile

Increased mated retention

High contact reliability



Self alignment



Product Specifications

| | | | |
|--------|--|---|--|
| Rating | Rated current 0.3A Rated voltage 30V AC | Operating temperature range : -35°C to 85°C (Note 1) Operating humidity range : Relative humidity 20% to 80% | Storage temperature range -10°C to 60°C (Note 2) Storage humidity range Relative humidity 40% to 70% (Note 2) |
|--------|--|---|--|

| Item | Specification | Conditions |
|--|--|--|
| 1. Insulation resistance | 50 MΩ min. | 100V DC |
| 2. Withstanding voltage | No flashover or insulation breakdown. | 100V AC / one minute |
| 3. Contact resistance | 100 mΩ max. | 100 mA |
| 4. Vibration | No electrical discontinuity of 1 μs or more | Frequency: 10 to 55 Hz, single amplitude of 0.75mm, 2 hours, 3 axis |
| 5. Humidity | Contact resistance: 100 mΩ max. Insulation resistance: 25 MΩ min. | 96 hours at temperature of 40°C±2°C and RH of 90% to 95% |
| 6. Temperature cycle | Contact resistance: 100 mΩ max. Insulation resistance: 50 MΩ min. | Temperature: -55°C→+5°C to +35°C→+85°C→+5°C to +35°C Duration: 30→10→30→10(Minutes) 5 cycles |
| 7. Durability (insertions/withdrawals) | Contact resistance: 100 mΩ max. | 50 cycles(Connector for conductivity tests: 500 cycles) |
| 8. Resistance to soldering heat | No deformation of components affecting performance. | Reflow: At the recommended temperature profile Manual soldering: 300°C for 3 seconds |

Note 1: Includes temperature rise caused by current flow.

Note 2: The term "storage" refers to products stored for long period of time prior to mounting and use. Operating temperature range and humidity range covers non-conducting condition of installed connectors in storage, shipment or during transportation.

Materials and Finishes

| Connectors | Component | Material | Finish | Remarks |
|-------------------------|----------------|-----------------|-------------------|---------|
| Receptacles and Headers | Insulator | LCP | Color : Black | UL94V-0 |
| | Contacts | Phosphor bronze | Gold plated | ———— |
| | Metal fittings | Phosphor bronze | Tin-copper plated | ———— |

Ordering information

Receptacles and Headers

DF30 **FC** - ***** **DS - 0.4** **V** **(**)**
① ② ③ ④ ⑤ ⑥ ⑦

| | |
|--|---|
| ① Series name: DF30 | ⑤ Contact pitch: 0.4 mm |
| ② Configuration FB: With metal fittings, without bosses FC: Without metal fittings, without bosses CJ: Connector for conductivity tests | ⑥ Termination section V: Straight SMT |
| ③ Number of positions: 20, 22, 24, 30, 34, 40, 50, 60, 70, 80 | ⑦ Packaging (81): Embossed tape packaging (5,000 pieces per reel) (82): Embossed tape packaging (1,000 pieces per reel) |
| ④ Connector type DS: Double row receptacle DP: Double row header | |

■ Receptacles (without metal fittings)



◆ Recommended PCB mounting pattern



Recommended solder paste thickness: 120 μ m

[Specification number] -**, (**)
(81): Embossed tape packaging (5,000 pieces per reel)

* Tolerances non- accumulative.

Unit: mm

| Part Number | CL No. | Number of contacts | A | B | C |
|----------------------|-----------------|--------------------|-------|------|------|
| DF30FC-20DS-0.4V(**) | CL684-1109-8-** | 20 | 6.22 | 3.6 | 1.2 |
| DF30FC-22DS-0.4V(**) | CL684-1110-7-** | 22 | 6.62 | 4.0 | 1.2 |
| DF30FC-24DS-0.4V(**) | CL684-1111-0-** | 24 | 7.02 | 4.4 | 1.2 |
| DF30FC-30DS-0.4V(**) | CL684-1112-2-** | 30 | 8.22 | 5.6 | 1.2 |
| DF30FC-34DS-0.4V(**) | CL684-1113-5-** | 34 | 9.02 | 6.4 | 1.36 |
| DF30FC-40DS-0.4V(**) | CL684-1078-6-** | 40 | 10.22 | 7.6 | 1.6 |
| DF30FC-50DS-0.4V(**) | CL684-1114-8-** | 50 | 12.22 | 9.6 | 2.0 |
| DF30FC-60DS-0.4V(**) | CL684-1082-3-** | 60 | 14.22 | 11.6 | 2.4 |
| DF30FC-70DS-0.4V(**) | CL684-1115-0-** | 70 | 16.22 | 13.6 | 2.8 |
| DF30FC-80DS-0.4V(**) | CL684-1116-3-** | 80 | 18.22 | 15.6 | 3.2 |

Note 1: Order by number of reels.

Note 2: Receptacles with 24 or fewer contacts positions will not have recessed areas.

Kameraanwendungen



Autopilot



Live-Streaming



Videokonferenz



Biometrische Eye-Tracker-Erkennung



Maschinelles Sehen



Agrarmonitor



Nachtsichtsicherheit



Drohnen- und Sport-Adleraugen



Interaktive Haustierkamera

Referenztable für die Pinbelegungsdefinition des Kameramoduls

| OmniVision Sony Himax Samsung On-Semi Aptina Himax GalaxyCore PixArt Bildsensoren | |
|---|---|
| Pin Signal | Beschreibung |
| DGND GND | Masse für digitale Schaltung |
| AGND | Masse für analoge Schaltung |
| PCLK DCK | DVP-PCLK-Ausgang |
| XCLR PWDN XSHUTDOWN STANDBY | Abschalten aktiv hoch mit internem Pulldown-Widerstand |
| MCLK XVCLK XCLK INCK | Systemeingangsuhr |
| RESET RST | Aktiv Low mit internem Pull-up-Widerstand zurücksetzen |
| NC NULL | keine Verbindung |
| SDA SIO_D SIOD | SCCB-Daten |
| SCL SIO_C SOIC | SCCB-Eingangstakt |
| VSYNC XVS FSYNC | DVP-VSYNC-Ausgang |
| HREF XHS | DVP-HREF-Ausgang |
| DOVDD | Strom für E/A-Schaltung |
| AFVDD | Strom für VCM-Schaltung |
| AVDD | Strom für analoge Schaltung |
| DVDD | Strom für digitale Schaltung |
| STROBE FSTROBE | Strobe-Ausgang |
| FSIN | Synchronisieren Sie das VSYNC-Signal vom anderen Sensor |
| SID | SCCB letzte Bit-ID-Eingabe |
| ILPWM | mechanische Shutter-Ausgangsanzeige |
| FREX | Rahmenbelichtung / mechanischer Verschluss |
| GPIO | Allzweckeingänge |
| SLASEL | I2C-Slave-Adresse auswählen |
| AFEN | CEN-Chip aktivieren aktiv hoch auf VCM-Treiber-IC |
| MIPI Schnittstelle | |
| MDN0 DN0 MD0N DATA_N DMO1N | MIPI 1st negative Ausgabe der Datenspur |
| MDP0 DP0 MD0P DATA_P DMO1P | MIPI 1st positiver Ausgang der Datenspur |
| MDN1 DN1 MD1N DATA2_N DMO2N | MIPI 2nd negative Ausgabe der Datenspur |
| MDP1 DP1 MD1P DATA2_P DMO2P | MIPI 2nd positiver Ausgang der Datenspur |
| MDN2 DN2 MD2N DATA3_N DMO3N | MIPI 3rd negative Ausgabe der Datenspur |
| MDP2 DP2 MD2P DATA3_P DMO3P | MIPI 3rd positiver Ausgang der Datenspur |
| MDN3 DN3 MD3N DATA4_N DMO4N | MIPI 4th negative Ausgabe der Datenspur |
| MDP3 DP3 MD3P DATA4_P DMO4P | MIPI 4th positiver Ausgang der Datenspur |
| MCN CLKN CLK_N DCKN | MIPI Uhr negativer Ausgang |
| MCP CLKP MCP CLK_P DCKN | MIPI Takt positiver Ausgang |
| DVP Parallel Schnittstelle | |
| D0 DO0 Y0 | DVP Datenausgabeport 0 |
| D1 DO1 Y1 | DVP Datenausgabeport 1 |
| D2 DO2 Y2 | DVP Datenausgabeport 2 |
| D3 DO3 Y3 | DVP Datenausgabeport 3 |
| D4 DO4 Y4 | DVP Datenausgabeport 4 |
| D5 DO5 Y5 | DVP Datenausgabeport 5 |
| D6 DO6 Y6 | DVP Datenausgabeport 6 |
| D7 DO7 Y7 | DVP Datenausgabeport 7 |
| D8 DO8 Y8 | DVP Datenausgabeport 8 |
| D9 DO9 Y9 | DVP Datenausgabeport 9 |
| D10 DO10 Y10 | DVP Datenausgabeport 10 |
| D11 DO11 Y11 | DVP Datenausgabeport 11 |

Kamera-Zuverlässigkeitstest

| Zuverlässigkeitsprüfpunkt | | Testmethode | Akzeptanzkriterium | |
|---------------------------|------------------------------------|---|---------------------------|---------------------------|
| Kategorie | Artikel | | | |
| Umwelt | Lager Temperatur | Hoch 60°C 96 Std | Temperaturkammer | Keine anormale Situation |
| | | Niedrig -20°C 96 Std | Temperaturkammer | Keine anormale Situation |
| | Betriebs Temperatur | Hoch 60°C 24 Std | Temperaturkammer | Keine anormale Situation |
| | | Niedrig -20°C 24 Std | Temperaturkammer | Keine anormale Situation |
| | Feuchtigkeit | 60°C 80% 24 Std | Temperaturkammer | Keine anormale Situation |
| | Thermischer Schock | Hoch 60°C 0.5 Std Niedrig -20°C 0.5 Std Radfahren rein 24 Std | Temperaturkammer | Keine anormale Situation |
| Physisch | Falltest (Im freien Fall) | Ohne Verpackung 60cm | 10 Mal auf Holzboden | Elektrisch funktionsfähig |
| | | Mit Paket 60cm | 10 Mal auf Holzboden | Elektrisch funktionsfähig |
| | Vibrations Test | 50Hz X-Axis 2mm 30 Minuten | Vibrationstisch | Elektrisch funktionsfähig |
| | | 50Hz Y-Axis 2mm 30 Minuten | Vibrationstisch | Elektrisch funktionsfähig |
| | | 50Hz Z-Axis 2mm 30 Minuten | Vibrationstisch | Elektrisch funktionsfähig |
| | Zugfestigkeit des Kabels Krafttest | Gewicht laden 4 kg 60 Sekunden Radfahren rein 24 Std | Zugprüfmaschine | Elektrisch funktionsfähig |
| Elektrisch | ESD-Test | Kontaktaufnahme 2 KV | ESD-Prüfmaschine | Elektrisch funktionsfähig |
| | | Luftentladung 4 KV | ESD-Prüfmaschine | Elektrisch funktionsfähig |
| | Alterungstest | On/Off 30 Sekunden Radfahren rein 24 Std | Stromschalter | Elektrisch funktionsfähig |
| | USB-Anschluss | On/Off 250 Mal | Einstecken und ausstecken | Elektrisch funktionsfähig |



Kamerainspektionsstandard

| Inspektionsgegenstand | | Untersuchungsmethode | Inspektionsstandard | |
|-----------------------|--------------|--------------------------|------------------------------|---|
| Kategorie | Artikel | | | |
| Aussehen | FPC oder PCB | Farbe | Das bloße Auge | Größere Unterschiede sind nicht zulässig. |
| | | Zerrissen/gehackt werden | Das bloße Auge | Das Freilegen von Kupferrissen ist nicht zulässig. |
| | | Markierung | Das bloße Auge | Klar, erkennbar (innerhalb von 30 cm Entfernung) |
| | Halterin | Kratzer | Das bloße Auge | Die Freilegung von Rissen im Inneren ist nicht zulässig |
| | | Lücke | Das bloße Auge | Erfüllen Sie den Höhenstandard |
| | | Schraube | Das bloße Auge | Stellen Sie sicher, dass Schrauben vorhanden sind (falls vorhanden) |
| | | Schaden | Das bloße Auge | Die Freilegung von Rissen im Inneren ist nicht zulässig |
| | Linse | Kratzen | Das bloße Auge | Keine Auswirkung auf den Auflösungsstandard |
| | | Kontamination | Das bloße Auge | Keine Auswirkung auf den Auflösungsstandard |
| | | Ölfilm | Das bloße Auge | Keine Auswirkung auf den Auflösungsstandard |
| | | Abdeckband | Das bloße Auge | Kein Problem beim Aussehen. |
| | Funktion | Bild | Keine Kommunikation | Testboard |
| Helles Pixel | | | Tafel | Im Image Center nicht erlaubt |
| Dunkles Pixel | | | Weißer Tafel | Im Image Center nicht erlaubt |
| Verschwommen | | | Das bloße Auge | Nicht erlaubt |
| Kein Bild | | | Das bloße Auge | Nicht erlaubt |
| Vertikale Linie | | | Das bloße Auge | Nicht erlaubt |
| Horizontale Linie | | | Das bloße Auge | Nicht erlaubt |
| Kleines Leck | | | Das bloße Auge | Nicht erlaubt |
| Blinkendes Bild | | | Das bloße Auge | Nicht erlaubt |
| Prellung | | | Inspektionslehre | Nicht erlaubt |
| Auflösung | | | Diagramm | Folgt dem Diagrammstandard für ausgehende Inspektionen |
| Farbe | | | Das bloße Auge | Kein Problem |
| Lärm | | | Das bloße Auge | Nicht erlaubt |
| Ecke dunkel | | | Das bloße Auge | Weniger als 100 x 100 Pixel |
| Farbauflösung | | | Das bloße Auge | Kein Problem |
| Abmessungen | Höhe | Das bloße Auge | Befolgt Zulassungsdatenblatt | |
| | Breite | Das bloße Auge | Befolgt Zulassungsdatenblatt | |
| | Länge | Das bloße Auge | Befolgt Zulassungsdatenblatt | |
| | Gesamt | Das bloße Auge | Befolgt Zulassungsdatenblatt | |

YDSCAM Paketlösungen

YDSCAM Kameramodul



Komplett mit Linsenschutzfolie



Tablett mit Gitter und Raum



Legen Sie die Kameras auf das Tablett



YDSCAM Paketlösungen

Volles Fach mit Kameras



Decken Sie das Tablett mit dem Deckel ab



Legen Sie das Tablett in den antistatischen Beutel



Staubsaugen Sie den antistatischen Beutel



YDSCAM Paketlösungen

Versiegelter antistatischer Vakuumbbeutel mit Etiketten

1. Modell und Beschreibung 2. Menge 3. Herstellungsdatumscode 4. Achtung



YDSCAM Paketlösungen

Legen Sie Schaumstoffplatten zwischen die Tablettbeutel



Schaumstoffplatten sind größer als Tablettbeutels



Legen Sie Schaumstoffplatten und Tablettbeutels in den Karton



Die Schaumstoffplatten sitzen fest im Karton



Verschließen Sie die Carbon Box



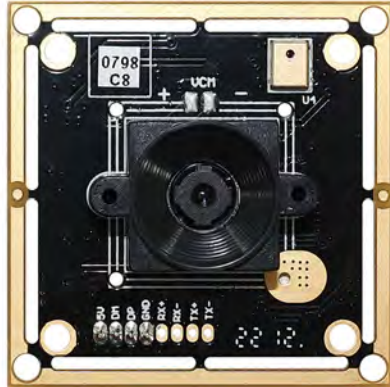
Beschriften Sie den Carbon-Versandkarton



YDSCAM Paketlösungen

USB-Kameramodul

Komplett mit Objektivschutzfolie



Legen Sie die Kameraprobe in den antistatischen Beutel

Legen Sie USB-Kameras in das Fach



Verschließen Sie das Tablett mit einem antistatischen Beutel

Beschriften Sie den Carbon-Versandkarton



YDSCAM Paketlösungen

Legen Sie die Kameraprobe in den antistatischen Beutel



Legen Sie die Steckverbinder in den antistatischen Beutel



Beschriften Sie die Probenbeutel



Stecken Sie die Steckverbinder in die Spule



Legen Sie Proben in die Carbonbox



Stecken Sie die Steckverbinder in die Carbonbox





Firma YDSCAM

YingDeShun Co. Ltd. (YDS) wurde 2017 gegründet, ein technologieorientierter Hersteller der nächsten Generation, der sich auf Forschung, Design und Produktion von Audio- und Videoprodukten spezialisiert hat. YDS verfügt über 20.000 Quadratmeter große automatisierte Anlagen mit 100 Mitarbeitern und einem Jahresdurchsatz von 30.000.000 Kameraeinheiten.

YDS bietet OEM- und ODM-Design sowie Auftragsfertigung und baut die Kameraprodukte. Sie können uns die Anforderungen mitteilen, sogar mit einem Handentwurf. Unser Vertrieb und unsere Technik arbeiten zusammen, um Ihre Anforderungen zu erfüllen. Wir verstehen uns als Ihr langfristiger Partner bei der Entwicklung praktischer und innovativer Lösungen.

Unser Team deckt alles von der ersten Konzeptentwicklung bis zum Massenprodukt ab. YDS ist auf kundenspezifisches Kameradesign, Rohmaterial, Elektroniktechnik, Firmware-/Softwareentwicklung, Produkttests und Verpackungsdesign spezialisiert. Unsere erfahrenen strategischen Liefersysteme bieten eine robuste und zuverlässige Fertigungskapazität für Aufträge unterschiedlicher Größe.



Eingeschränkte Garantie

YDS gewährt die folgende eingeschränkte Garantie, wenn Sie das/die Produkt(e) direkt von der YDS-Firma oder über die YDS-Website www.YDSCAM.com erworben haben. Von anderen Verkäufern oder Quellen gekaufte Produkte fallen nicht unter diese eingeschränkte Garantie. YDS garantiert, dass die Produkte bei normalem Gebrauch für einen Zeitraum von einem (1) Jahr ab dem Datum, an dem Sie das Produkt erhalten („Garanzzeitraum“), frei von Material- und Verarbeitungsfehlern sind.

Für alle Produkte, die während der Garanzzeit wesentliche Material- oder Verarbeitungsfehler aufweisen oder entwickeln, wird YDS nach eigenem Ermessen entweder: (i) das/die Produkt(e) reparieren; (ii) das/die Produkt(e) durch ein/e neue oder generalüberholte(n) Produkt(e) ersetzen (wobei das/die Ersatzprodukt(e) vom identischen Modell oder einer gleichwertigen Funktion sein müssen); oder (iii) Ihnen eine Rückerstattung des Preises gewähren, den Sie für das/die Produkt(e) bezahlt haben.

Diese eingeschränkte Garantie von YDS beschränkt sich ausschließlich auf Reparatur und/oder Ersatz gemäß den oben dargelegten Bedingungen. YDS ist nicht zuverlässig oder verantwortlich für etwaige Folgeereignisse.





YDS CAMERA MODULE

your best camera partner

Unsere Unternehmensstärke

Leistungsstarke Fabrik



Professioneller Service



Versprochene Lieferung



www.YDSCAM.com sales@ydscam.com Phone (WeChat, QQ): (+86) 177 2732 6718

All rights reserved @ YingDeShun Co. Ltd. Specifications subject to change without notice.